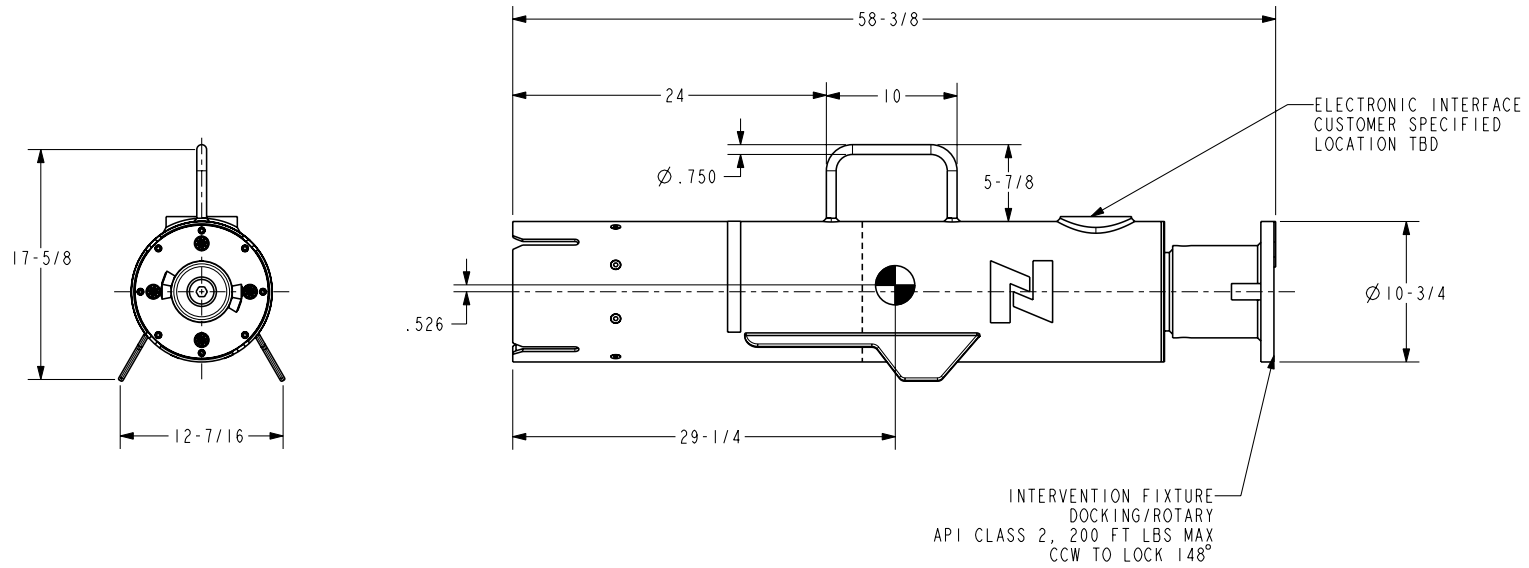


National Coupling Inc.

1316 Staffordshire Road • Stafford, Texas 77477
 281-499-2583 • www.nationalcoupling.com • info@nationalcoupling.com



NATIONAL COUPLING



SYSTEM WEIGHT: 636 LBS
 SYSTEM WEIGHT IN WATER: 472 LBS

UNLESS OTHERWISE SPECIFIED:		THIS DOCUMENT IS THE PROPERTY OF NATIONAL COUPLING CO., INC. IT SHALL NOT BE REPRODUCED, DISCLOSED OR USED, IN WHOLE OR IN PART, BY ANY PARTY WITHOUT PRIOR WRITTEN AUTHORIZATION BY NATIONAL COUPLING CO., INC.	
DIMENSIONS ARE IN INCHES		DRAWN BY:	DATE:
TOLERANCES ARE:		TLB	5 SEPT 06
FRACTIONS ± 1/16		APPROVED BY:	DATE:
1 PLACE ± .1		DW	6 SEPT 06
2 PLACE ± .01		MATERIAL:	
3 PLACE ± .003			N/A
ANGULAR ± 0° 30'			
BREAK ALL CORNERS .005			
TOOL RADIUS .015			
DEFAULT SURFACE FINISH 63/			
DO NOT SCALE DRAWING		THIRD ANGLE PROJECTION	DRAWING NUMBER
		ROV RETRIEVABLE CHEMICAL INJECTION SYSTEM CIS CI-1800-X	