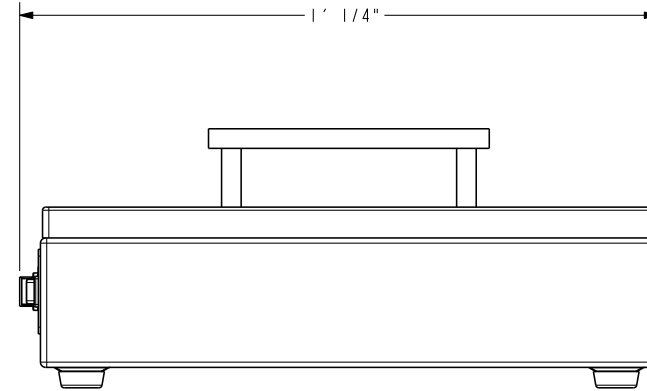
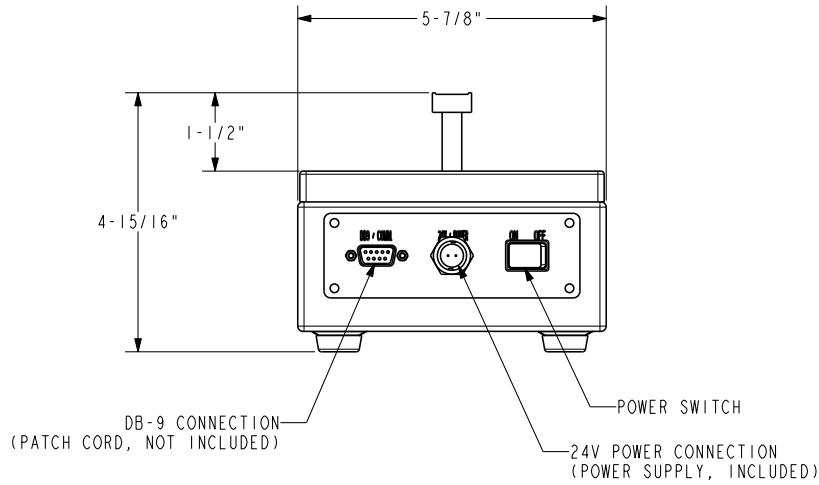


National Coupling Inc.

1316 Staffordshire Road • Stafford, Texas 77477
 281-499-2583 • www.nationalcoupling.com • info@nationalcoupling.com



NATIONAL COUPLING



UNLESS OTHERWISE SPECIFIED:		THIS DOCUMENT IS THE PROPERTY OF NATIONAL COUPLING CO., INC. IT SHALL NOT BE REPRODUCED, DISCLOSED OR USED, IN WHOLE OR IN PART, BY ANY PARTY WITHOUT PRIOR WRITTEN AUTHORIZATION BY NATIONAL COUPLING CO., INC.	
DIMENSIONS ARE IN INCHES		DRAWN BY:	DATE:
TOLERANCES ARE:		TLB	19 JUN 07
FRACTIONS ± 1/16		APPROVED BY:	DATE:
1 PLACE ± .1		RES	10 JUL 07
2 PLACE ± .01		MATERIAL:	
3 PLACE ± .003		N/A	
ANGULAR ± 0° 30'		THIRD ANGLE PROJECTION	DRAWING NUMBER
BREAK ALL CORNERS .005			
TOOL RADIUS .015			
DEFAULT SURFACE FINISH 63 ✓			
DO NOT SCALE DRAWING			
		SOFTWARE INTERFACE SIMULATOR CIS CI-1800-SIM-1	